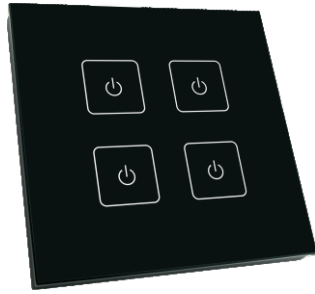


4 zone RF wireless wall mounted touch dimmer remote

SR-2805T2



- 4 zones
- Touch sensitive
- Glass interface
- Back lighting for finding in the dark
- Italian/ Australian, US wall mounted size available as well.



Feature

This is a RF Wireless full touch wall mounted dimmer Remote 4 zones

Parameter

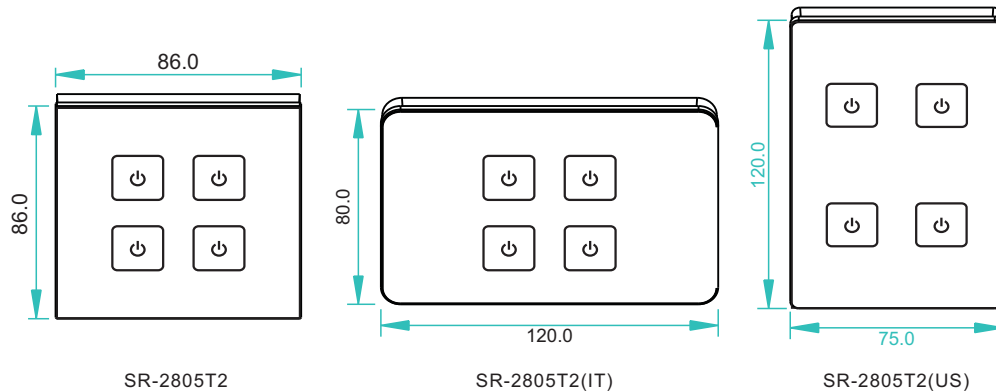
Remote

Part No.	Operation Voltage	Output	RF Frequency	Control distance
SR-2805T2	12-24VDC/110-240VAC	RF Wireless Signal	434MHz/868MHz	About 30m
SR-2805T2(IT)	12-24VDC/110-240VAC	RF Wireless Signal	434MHz/868MHz	About 30m
SR-2805T2(US)	12-24VDC/110-240VAC	RF Wireless Signal	434MHz/868MHz	About 30m

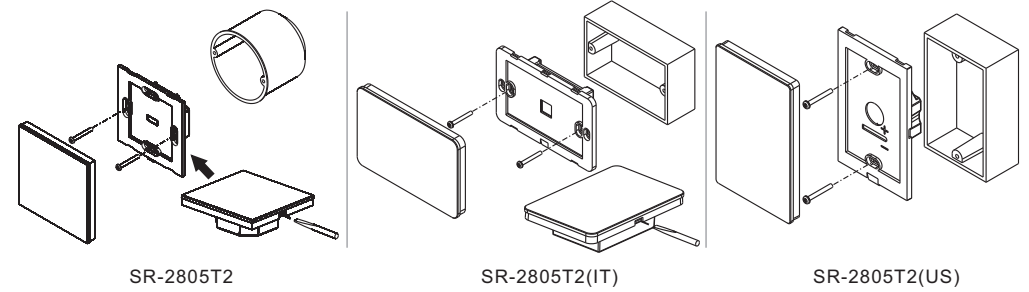
Receiver

Part No.	Input Voltage	Current	Output	Remarks
SR-2501N	12-36VDC	4x5A	4x(60-180)W	Constant voltage
SR-2501NEA	12-36VDC	4x8A	4x(96-288)W	Constant voltage
SR-2502N	12-36VDC	4x350mA	4x(4.2-12.6)W	Constant current
SR-2503N	12-36VDC	4x700mA	4x(8.4-25.2)W	Constant current
SR-2501NS	12-36VDC	1x8A	1x(96-288)W	Constant voltage
SR-2502NS	12-36VDC	1x350mA	1x(4.2-12.6)W	Constant current
SR-2503NS	12-36VDC	1x700mA	1x(8.4-25.2)W	Constant current

Product Size

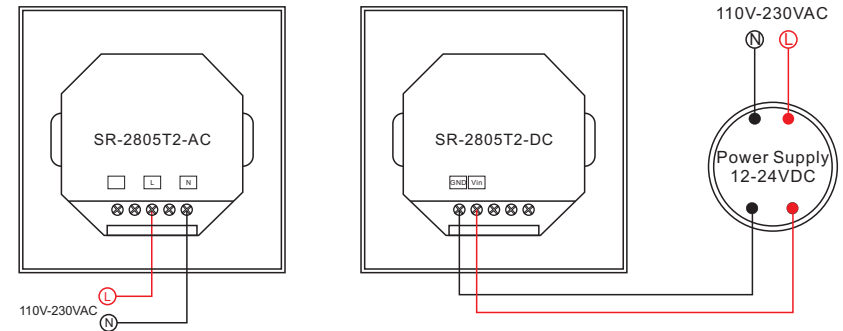


Installation

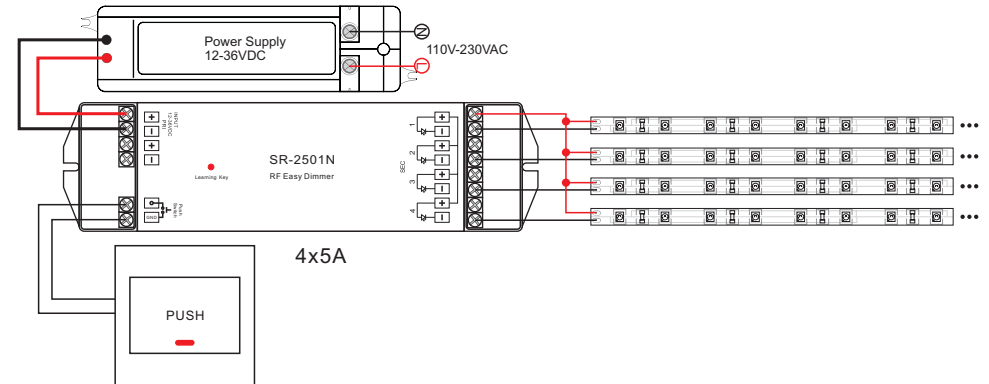


Wiring diagram

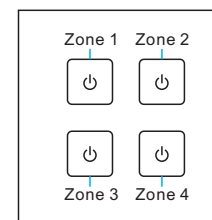
1) Sender Connection Diagram



2) Receiver Connection Diagram



Operation



User manual when work with SR-2501/2/3N, SR-2501/2/3NS for single color:

1. Pairing with remote: connect well receiver, short press learning key on receiver, then immediately touch any of ϕ , to assign the receiver in any of the zone you want, the led light will flash, means well paired. You can pair endless of receivers to any of the zones you want.
2. Short touch ϕ to turn ON/OFF the light, long touch it to dim up brightness, long touch it again to dim down, long touch it again to dim up, so it's a up-down-up-down circulation.
3. If you want delete the receiver's learning data, just long press for 5 seconds the learning key on receiver, the receiver will be deleted the learning, be set as factory defaults.

Safety & Warnings

- 1) The product shall be installed and serviced by a qualified person.
- 2) IP20. Please avoid the sun and rain. When installed outdoors, please ensure it is mounted in a water proof enclosure.
- 3) Always be sure to mount this unit in an area with proper ventilation to avoid overheating.
- 4) Please check if the output voltage of any LED power supplies used comply with the working voltage of the product.
- 5) Never connect any cables while power is on and always assure correct connections to avoid short circuits before switching on.
- 6) Please ensure that the cable is secured tightly in the connector
- 7) For update information please consult your supplier.

Warranty Agreement

- 1) We provide lifelong technical assistance with this product:
 - 3-year warranty. We print date on every products, for example :1125 means year 2011, week 25. The warranty is for free repair or replacement and covers manufacturing faults only.
 - For faults beyond the 3-year warranty we reserve the right to charge for time and parts.
- 2) Limited Warrenty
 - Any defects caused by wrong operation.
 - Any damages caused by unauthorized removal, maintenance, modifying, incorrect connection and replacement of chips.
 - Any damages due to transportation, vibration etc. after purchase.
 - Any damages caused by earthquake, fire, lightning, pollution and abnormal voltage.
 - Any damages caused by negligence, inappropriate storing at high temperatures and humidity or near harmful chemicals.
 - Product has been updated
- 3) Repair or replacement as provided under this warranty is the exclusive remedy to the customer.