

1 Zones Mini RF Single Color LED Dimmer

SR-2807 with SR-2501 series



- Mini RF wireless dimmer
- Battery include with remote
- On/Off function
- Memory Function



Feature

- Reliable&stable switch and dimming control function.
- Long time span battery for 2 years
- Switch on/off lightings slowly,without any flash,meet the comfort of human eyes.
- Dimming range:0.1-100%
- Use with power repeater to expand the output power unlimitedly.
- One zone controlled, but can be set endless receivers, each receiver can be controlled by 8 different remotes.
- Enable be dimmed and ON/OFF by push button after connecting receivers.
- Receivers can work with RF-WIFI converter after installing software on ISO and Android system.

Parameter

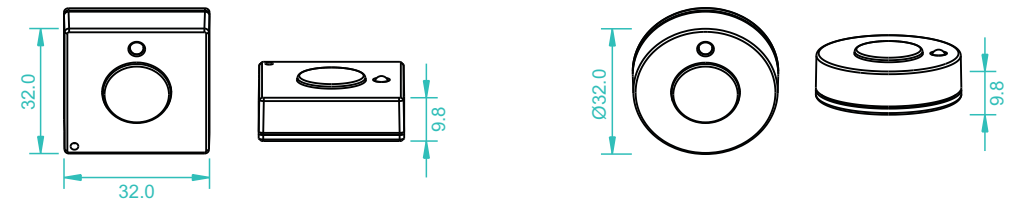
Remote

Item No	Operation Voltage	Operation Frequency	Battery
SR-2807	3VDC	434MHz/868MHz	Cr2025

Correspond Receiver

Part No.	INPUT	CURRENT	OUTPUT	Remarks
SR-2501N	12-36VDC	4x5A	4x(60-180)W	Constant voltage
SR-2501NEA	12-36VDC	4x8A	4x(96-288)W	Constant voltage
SR-2502N	12-36VDC	4x0.35A	4x(4.2-12.6)W	Constant current
SR-2503N	12-36VDC	4x0.7A	4x(8.4-25.2)W	Constant current
SR-2501NTC	12-36VDC	2x5A	2x(60-180)W	Constant voltage
SR-2502NTC	12-36VDC	2x0.35A	2x(4.2-12.6)W	Constant current
SR-2503NTC	12-36VDC	2x0.7A	2x(8.4-25.2)W	Constant current
SR-2501NS	12-36VDC	1x8A	1x(96-288)W	Constant voltage
SR-2502NS	12-36VDC	1x0.7A	1x(8.4-25.2)W	Constant current
SR-2503NS	12-36VDC	1x1.4A	1x(16.8-50.4)W	Constant current

Product size

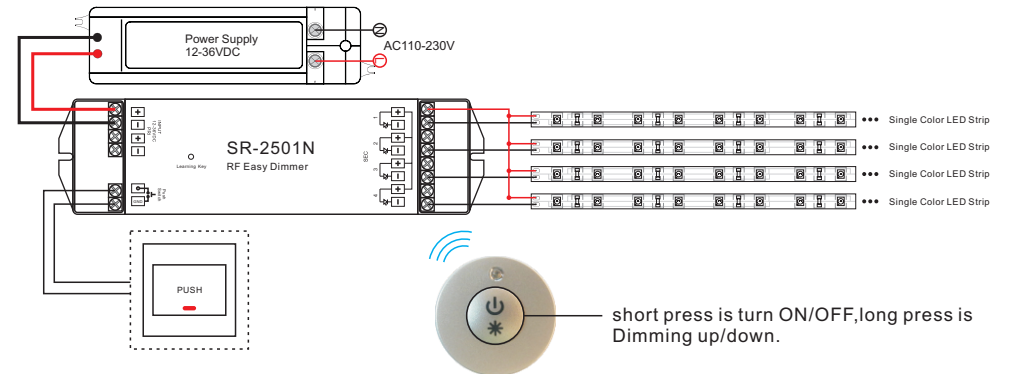


SR-2807(square)

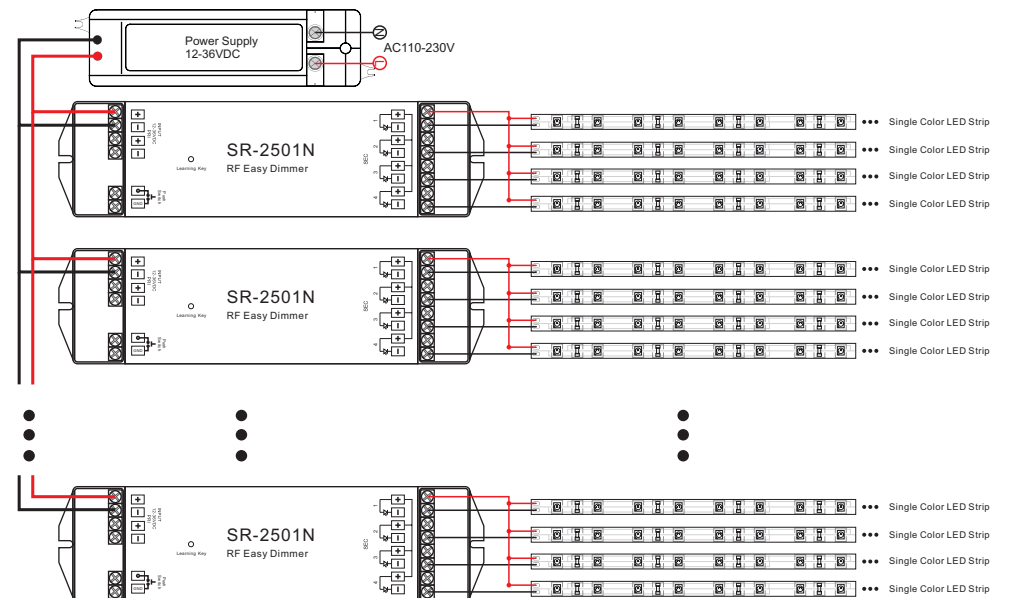
SR-2807(round)

Wiring diagram

1)Receiver Connection Diagram for Single Unit




2)Receiver Connection Diagram for Multiple Units



Operation

After you have wired all the receivers according to Figure illustration you need to do the following:

1. You need pair the receiver and remote by pressing the Learning Key once on the remote, then the power/dim button on your remote. Your light will blink once, signify that your receiver and remote are paired.
2. Now you are able to dim and power on and off your lights. To power on or off your lights, simply press once. This will turn on and off your lights with a subtle fading effect. To dim your lights, hold and press down on  , you will notice a gradual change to either a brighter or dimmer light.

Safety & Warnings

- 1) The product shall be installed and serviced by a qualified person.
- 2) IP20. Please avoid the sun and rain. When installed outdoors, please ensure it is mounted in a water proof enclosure.
- 3) Always be sure to mount this unit in an area with proper ventilation to avoid overheating.
- 4) Please check if the output voltage of any LED power supplies used comply with the working voltage of the product.
- 5) Never connect any cables while power is on and always assure correct connections to avoid short circuits before switching on.
- 6) Please ensure that the cable is secured tightly in the connector.
- 7) For update information please consult your supplier.

Warranty Agreement

- 1) We provide lifelong technical assistance with this product:
 - 3-year warranty. We print date on every products, for example :1125 means year 2011, week 25. The warranty is for free repair or replacement and covers manufacturing faults only.
 - For faults beyond the 3-year warranty we reserve the right to charge for time and parts.
- 2) Limited Warranty
 - Any defects caused by wrong operation.
 - Any damages caused by unauthorized removal, maintenance, modifying, incorrect connection and replacement of chips.
 - Any damages due to transportation, vibration etc. after purchase.
 - Any damages caused by earthquake, fire, lightning, pollution and abnormal voltage.
 - Any damages caused by negligence, inappropriate storing at high temperatures and humidity or near harmful chemicals.
 - Product has been updated
- 3) Repair or replacement as provided under this warranty is the exclusive remedy to the customer.